

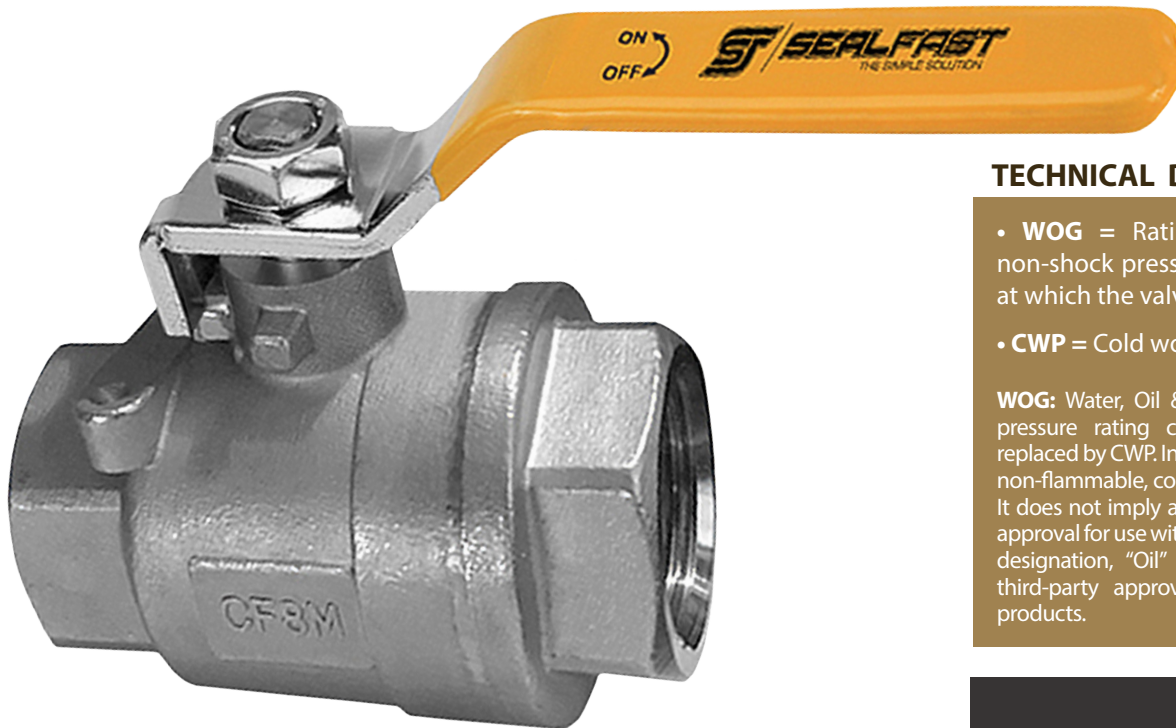


VALVES

**BALL - LOCKING HANDLE 316 SS
2000 WOG/CWP**

FEATURES & APPLICATIONS:

- Standard Port - 2 Piece
- 2000 WOG/CWP
- 316 SS - PTFE Seat
- Locking Handle
- Plumbing or heating projects, low pressure steam, compressed air, HVAC



TECHNICAL DATA:

- **WOG** = Rating indicates the maximum non-shock pressure at ambient temperatures at which the valve may be used.
- **CWP** = Cold working pressure

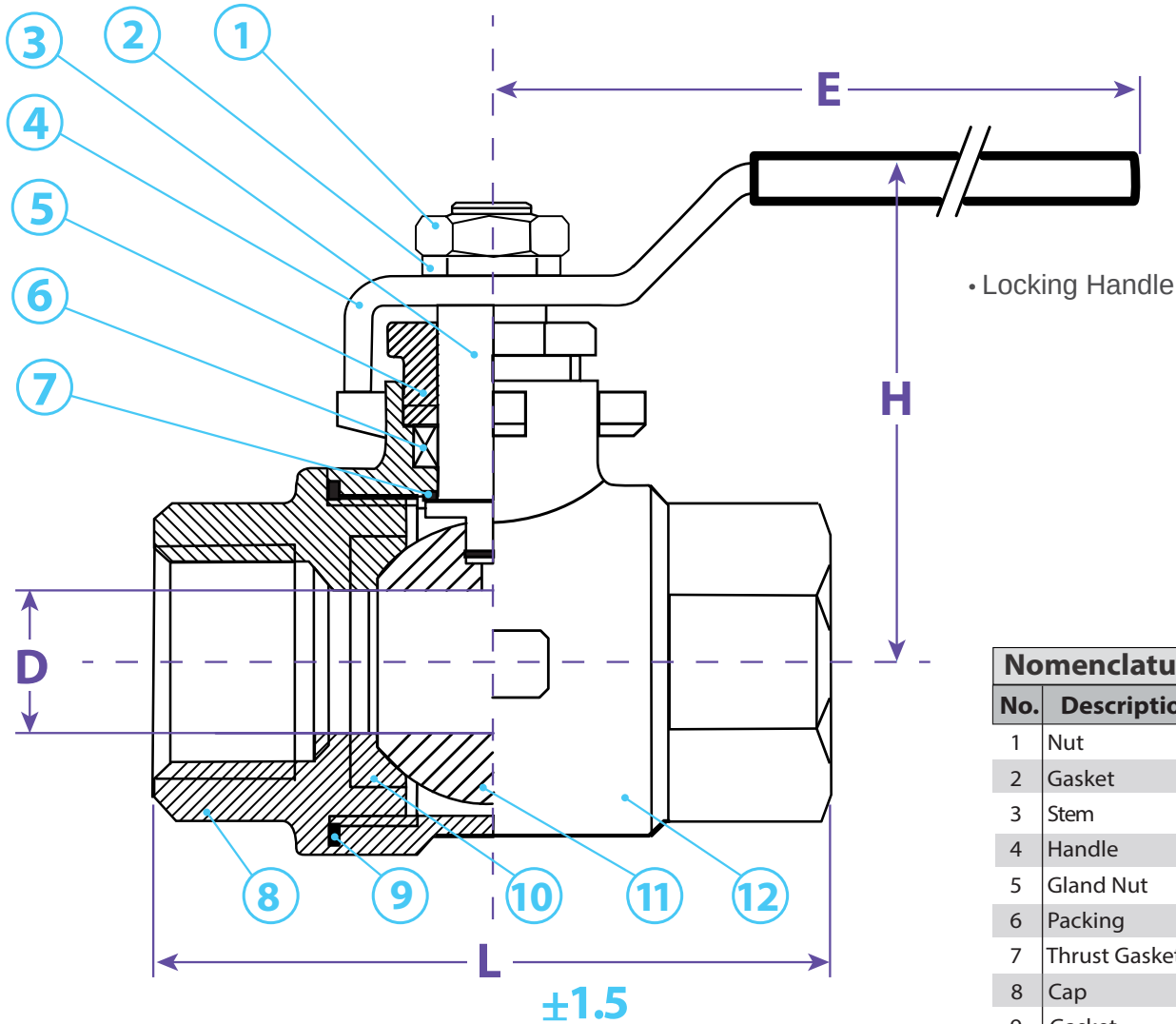
WOG: Water, Oil & Gas: This was an older, generic pressure rating call-out which has been largely replaced by CWP. In this designation, "GAS" refers to any non-flammable, compressible fluid in a gaseous state. It does not imply a product's suitability or third-party approval for use with flammable gases. Similarly, in this designation, "Oil" does not imply a product's third-party approval for use with any petroleum products.

316 SS	
Size	Part #
1/4"	SFV 025-2
3/4"	SFV 075-2
1"	SFV 100-2
1-1/4"	SFV 125-2 *
1-1/2"	SFV 150-2 *
2"	SFV 200-2 *

1/4" thru 1" is 2000 WOG
* 1-1/4" thru 2" is 1500 WOG



Information contained on this page is for general information purposes only. Seal Fast Inc. assumes no responsibility for errors or omissions for this product.



• Locking Handle

Nomenclature & Material

No.	Description	Material
1	Nut	304
2	Gasket	304
3	Stem	F304 / F316
4	Handle	201
5	Gland Nut	304
6	Packing	PTFE
7	Thrust Gasket	PTFE
8	Cap	304 / 316
9	Gasket	PTFE
10	Seat	PTFE
11	Ball	F304 / F316
12	Body	304 / 316

Dimensions

Size	D	L	H	E	Part #
1/4"	0.59	2.44	2.05	3.94	SFV 025-2
3/4"	0.78	2.76	2.36	4.72	SFV 075-2
1"	0.98	3.23	2.76	5.51	SFV 100-2
1-1/4"	1.26	3.54	2.95	5.51	SFV 125-2
1-1/2"	1.45	4.17	3.43	7.09	SFV 150-2
2"	1.93	4.76	3.82	7.09	SFV 200-2

TITLE

BALL VALVE w/Locking Handle - 2000 WOG/CWP

DISCLAIMER

All drawings and specifications are subject to change without notice. Drawings represent general dimensions of our products. Seal Fast cannot guarantee the dimensions of the part will exactly match those in the drawing. This drawing is the property of Seal Fast Inc. Copying or reproduction of this drawing is expressly prohibited.

MATERIAL

STAINLESS STEEL

DRAWING NOT TO SCALE

PART #

SFV....-2